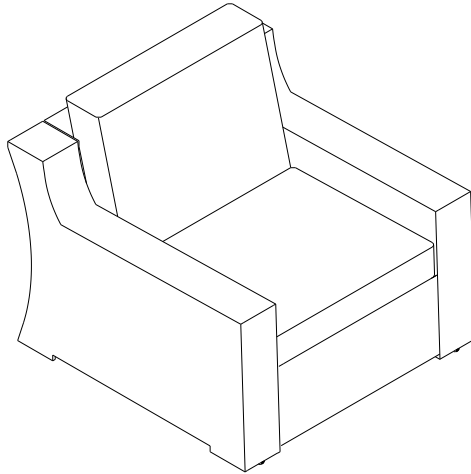
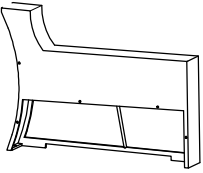
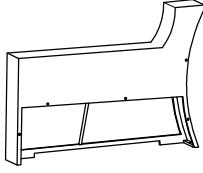
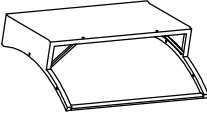
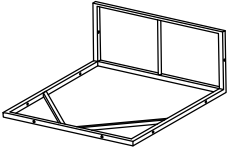






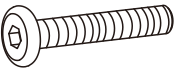



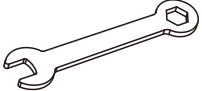
Outdoor Wicker Arm Chair  
CO7155



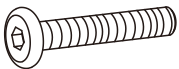


# PART LIST

<b>A</b> 	<b>B</b> 	<b>C</b> 	<b>D</b> 	<b>E</b> 
Right Arm Panel 1 PC	Left Arm Panel 1 PC	Back Panel 1 PC	Seat Panel 1 PC	Seat Cushion 1 PC
<b>F</b> 				
Back Cushion 1 PC				

# HARDWARE LIST

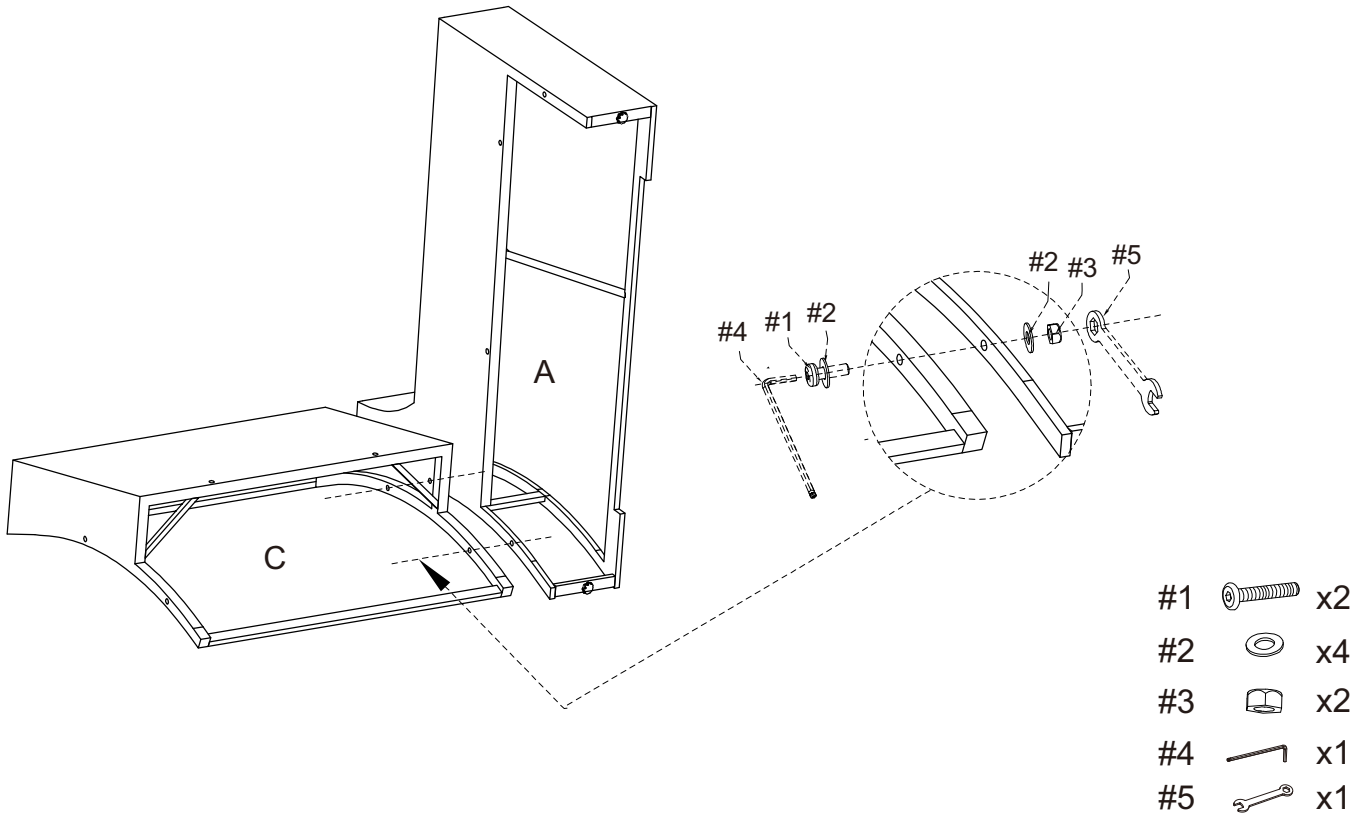
<b>#1</b> 	<b>#2</b> 	<b>#3</b> 	<b>#4</b> 	<b>#5</b> 
M6*65mm  Bolt 12 PCS	M6mm  Washer 24 PCS	M6mm  Nut 12 PCS	M6mm  Allen Key 1 PC	M6mm  Wrench 1 PC

# EXTRA HARDWARE LIST

<b>#1</b> 	<b>#2</b> 	<b>#3</b> 
M6*65mm  Bolt 1 PC	M6mm  Washer 1 PC	M6mm  Nut 1 PC

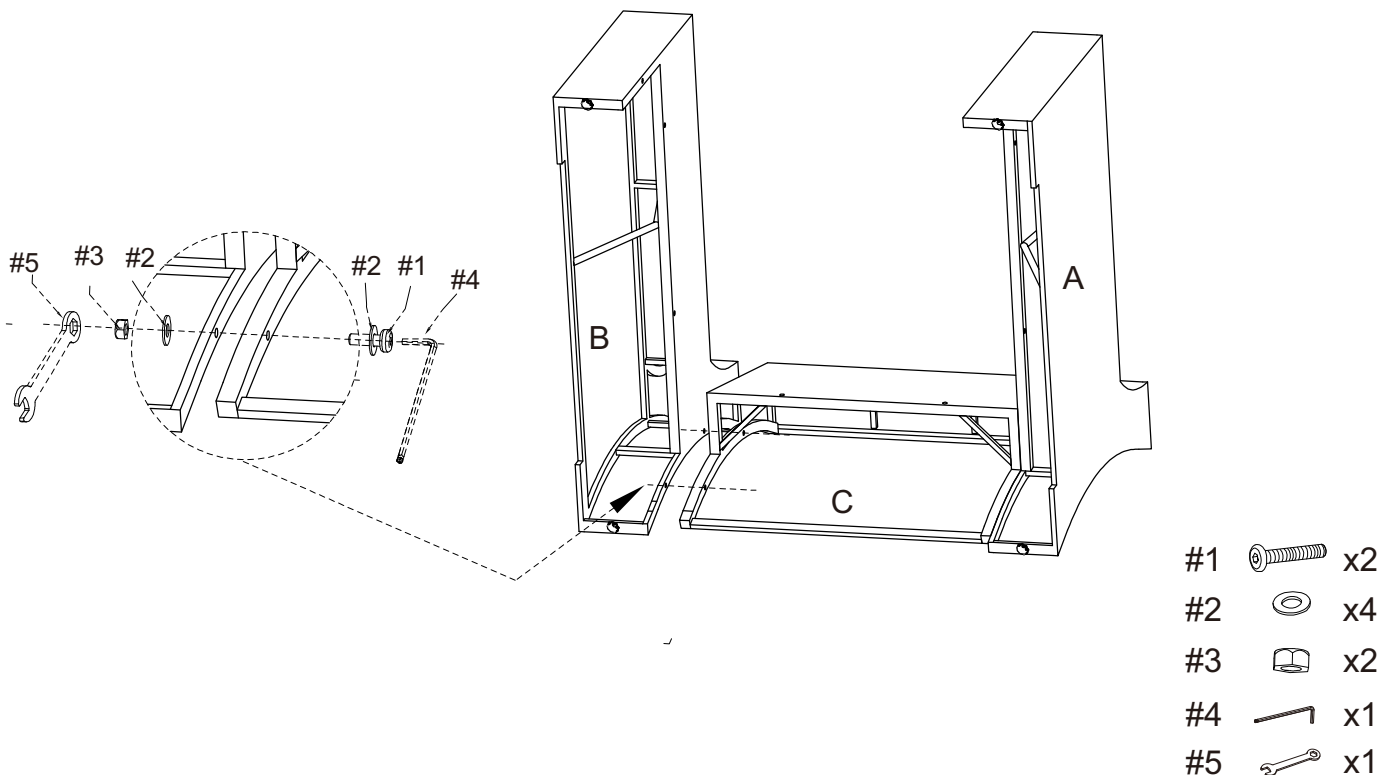
Step 1. Lay back panel (part C) down on a soft flat surface, such as carpet, as shown below. Attach right arm panel (part A) to back panel (part C) using bolts (part #1), washers (part #2), nuts (part #3), wrench (part #5) and allen key (part #4).

NOTE: Please do not fully tighten bolts until unit is fully assembled.



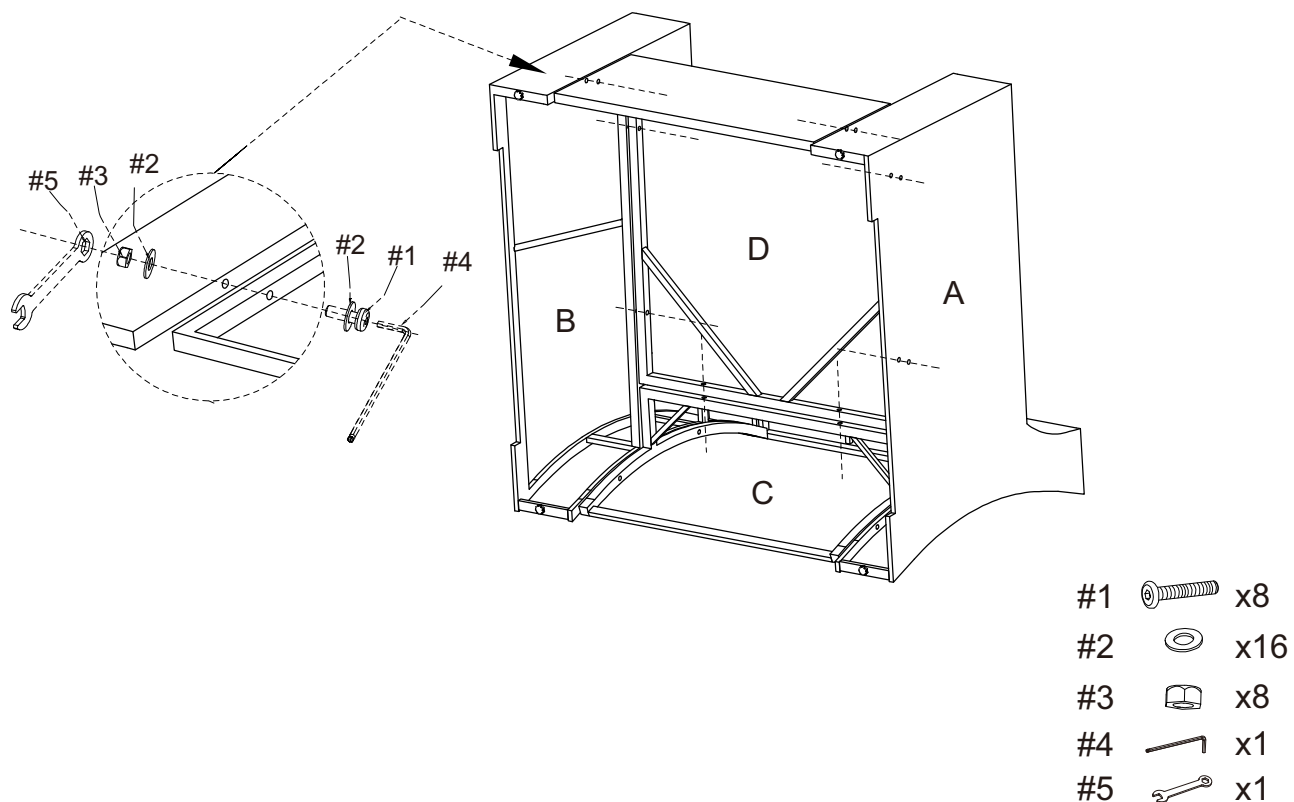
Step 2. Attach left arm panel (part B) to back panel (part C) using bolts (part #1), washers (part #2), nuts (part #3), wrench (part #5) and allen key (part #4).

NOTE: Please do not fully tighten bolts until unit is fully assembled.



Step 3. Attach seat panel (part D) to assembled unit (parts A,B&C) using bolts(part #1),washers (part #2),nuts(part #3),wrench(part #5) and allen key (part #4).

NOTE:Please fully tighten all bolts at this time.



Step 4. Carefully turn chair upright. Place seat cushion (part E) and back cushion (part F) on the chair.

